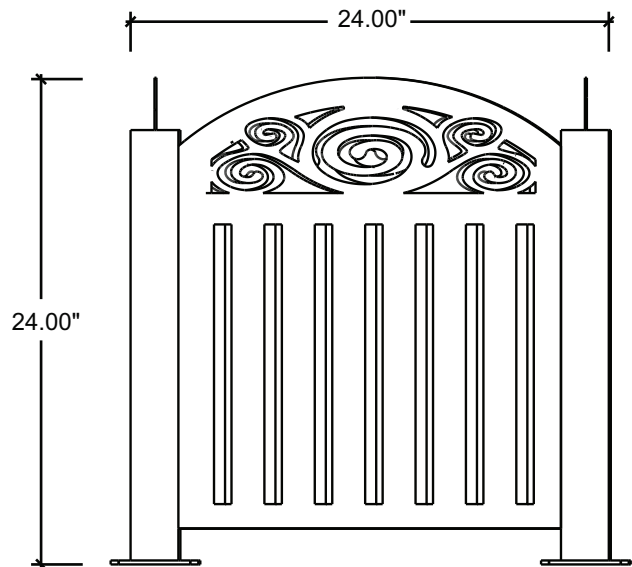
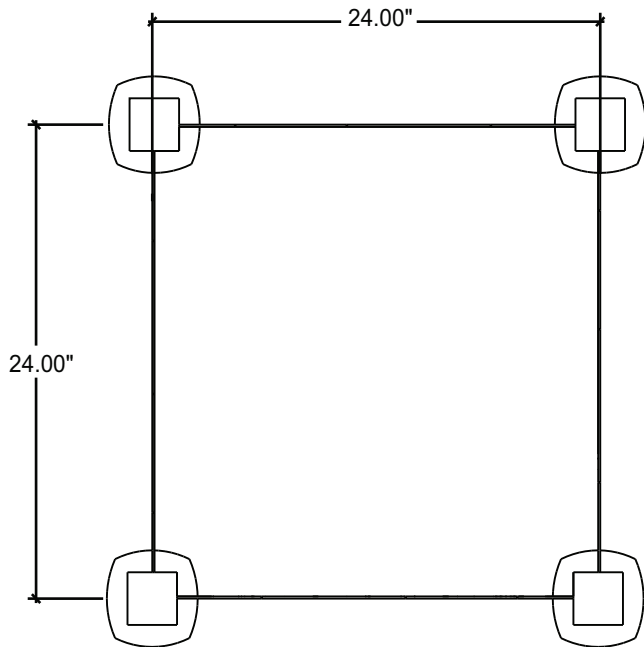


Heritage Planter EL - 019



- **Model:** EL -019 P
- **Material:** P - Zinc Plated Steel
- **Finish:** Powder coated finish
- **Dimensions:** 24" (l) x 24" (w) x 24"(h)
- **Weight:** Approximately 70lbs.
- **Installation:** Bolted down or free standing
- **Optional:** Logos