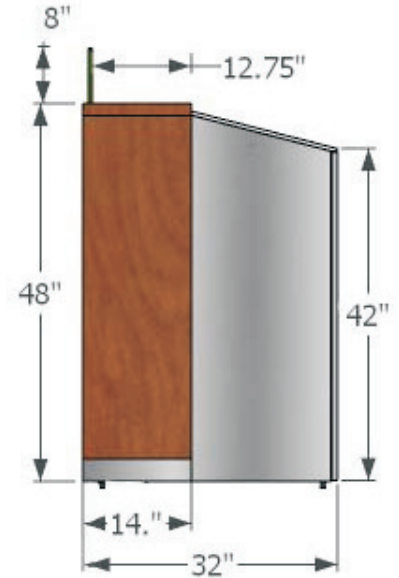


Food Court Recycling Unit CA-217



Production Item Code: CA-217

Food Court Recycling Unit CA-217



- **Model:** CA-217
- **Weight:** Approx. 300 lbs.
- **Materials:** Stainless Steel Panels and Doors
Laminate Paneling
Corian Top
- **Installation:** Free standing
- **Dimensions:** 48" (h) x 32" (w) x 106" (l) approx.*

* 64 gallon version shown

Production Item Code: CA-217