

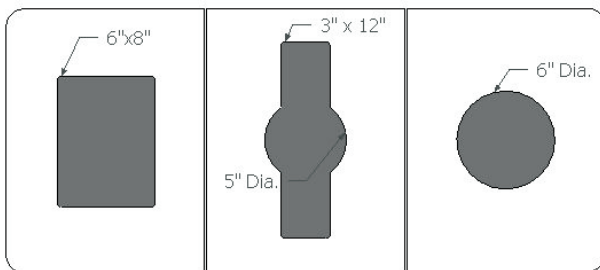
Domain CA-323



2 curved and 1 rectangular bin
3 streams



1 curved bin
1 stream



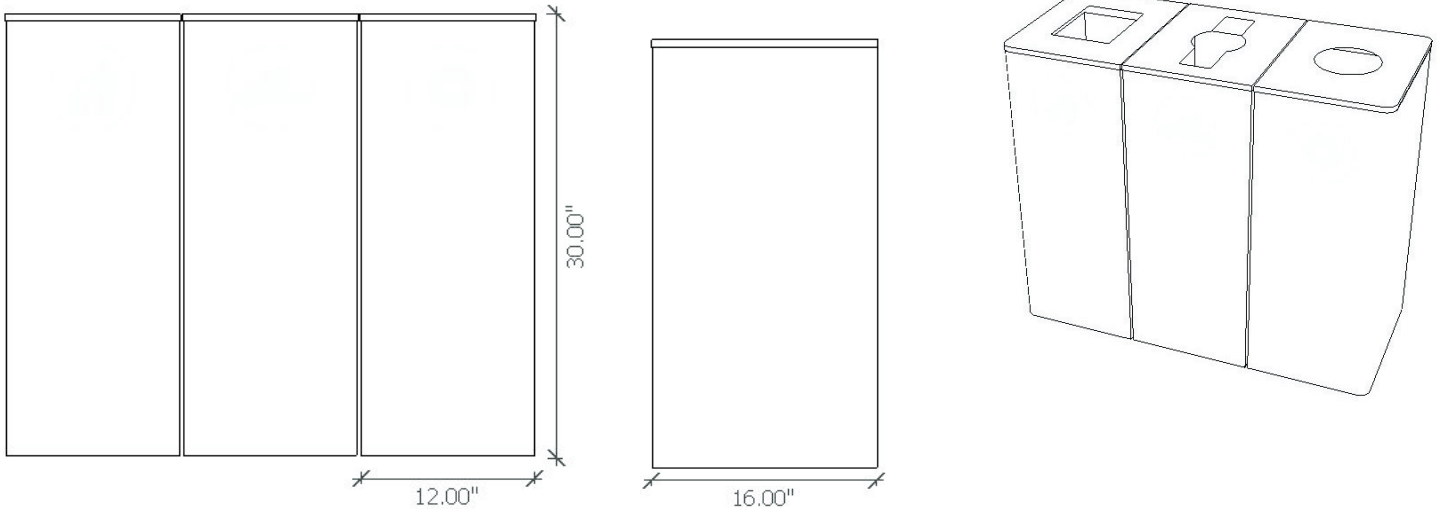
Available Openings



2 curved bins
2 stream

Production Item Code: CA-323

Domain CA-323



- **Model:** CA-323
CA-323-12-Curve (for ends or single)
CA-323-12-Rect (for middle positions)

- **Materials:** Zinc coated steel

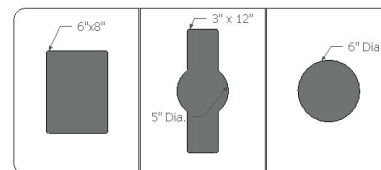
- **Finish:** Powder coated body and lid

- **Dimensions:** 30" (H) x 12" (W) x 16" (D)

- **Weight** Approx. 39 lbs per stream

- **Liner:** Rigid plastic liners 16 US Gallon
10.5" by 14." by 28"

- **Openings:** various shapes available



- **Installation:** neoprene pad on bottom

Production Item Code: CA-323